



Section: M Hydraulic Filtration

aerospace
climate control
electromechanical
filtration
fluid & gas handling
hydraulics
pneumatics
process control
sealing & shielding



ENGINEERING YOUR SUCCESS.

Table of Contents

Parfit Hydraulic Filters	M1
Part Number Index	M13

ParFit™ Hydraulic Elements



Customer Value Proposition:

The competitively priced ParFit™ hydraulic filters are interchangeable with OEM and aftermarket filters to allow users to acquire all their replacement filters from one quality source. Racor ParFit™ hydraulic replacement filters conform to all the same rigorous tests as the standard replacement filters.

In addition to price and quality, the range of interchange filters available is key to a successful program for the user. Parker has worked diligently over the years to develop a range of filters that meet this challenge.

Problem:

Over 75% of all system failures are a direct result of contamination!

The cost due to contamination is staggering, resulting from:

- **Loss of production (downtime)**
- **Component replacement costs**
- **Frequent fluid replacement**
- **Costly disposal**
- **Increased overall maintenance costs**
- **Increased scrap rate**

Solution:

Racor ParFit™ hydraulic replacement filters were designed to filter contaminants in hydraulic fluid efficiently.

ParFit™ Hydraulic Filters

HF2 ELEMENTS

Key

15P = Pall 9020-4" and 8"

HF3 = Pall 9600-8"

HF4 = Schroeder K -9", 18", and 27"

Features:

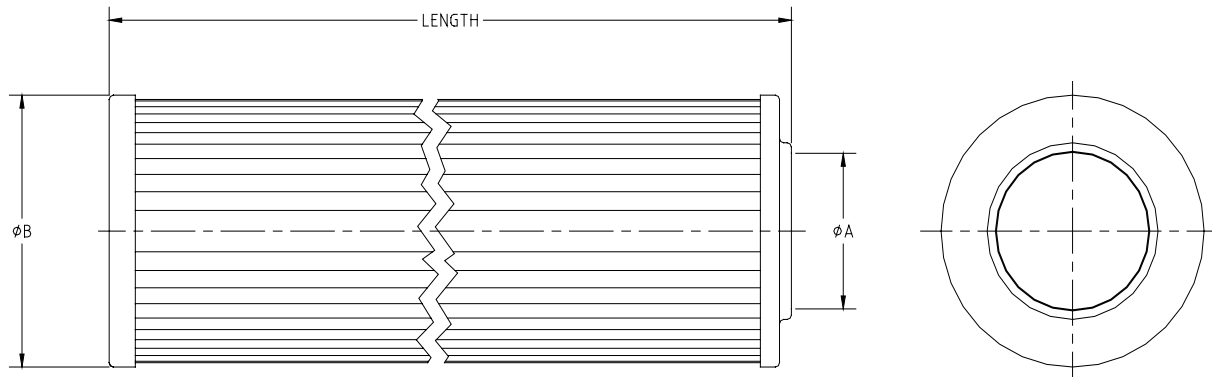
Seals: Viton

End caps: Plated Steel or Nylon

Support Cylinder: Plated Steel

Filter Media: Microglass with Mesh Support

Part Number	Length	DIA A	DIA B
932611Q	4.50 in. (11.4 cm)	1.01 in. (2.6 cm)	1.75 in. (4.4 cm)
932617Q	8.26 in. (21.0 cm)	1.01 in. (2.6 cm)	1.75 in. (4.4 cm)



HF3 Elements

Key

15P = Pall 9020-4" and 8"

HF3 = Pall 9600-8"

HF4 = Schroeder K -9", 18", and 27"

Features:

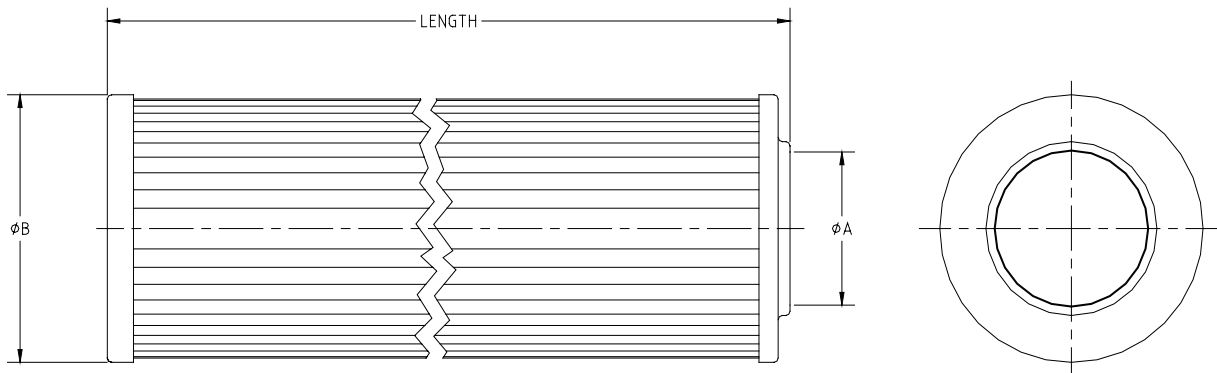
Seals: Viton

End caps: Plated Steel or Nylon

Support Cylinder: Plated Steel

Filter Media: Microglass with Mesh Support

Code	Length	DIA A	DIA B
8	8.3 in (21.0 cm)	1.7 in. (4.3 cm)	3.2 in. (8.1 cm)



M

ParFit™ Hydraulic Filters

HF4 Elements

Key

15P = Pall 9020-4" and 8"

HF3 = Pall 9600-8"

HF4 = Schroeder K -9", 18", and 27"

Features:

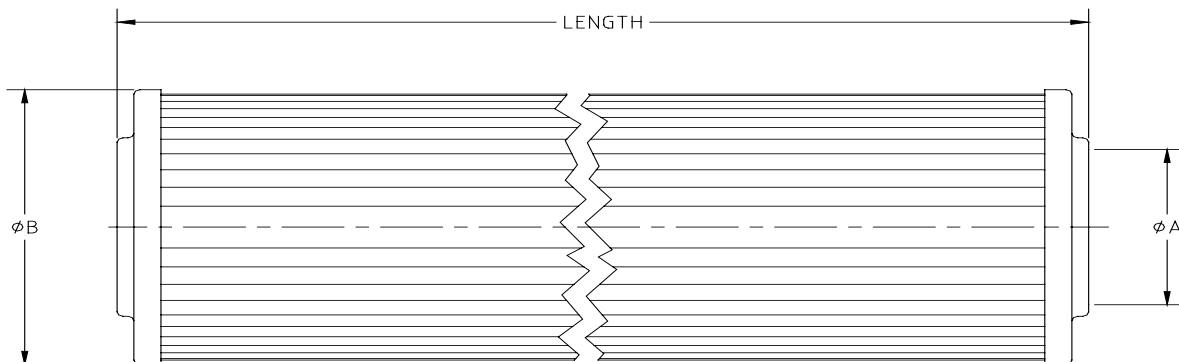
Seals: Viton

End caps: Nylon

Support Cylinder: Plated Steel

Filter Media: Microglass with Mesh Support

Part Number	Length	DIA A	DIA B	COMMENTS
932670Q	9.2 in. (23.4 cm)	1.6 in. (4.1 cm)	3.9 in. (9.9 cm)	Double open ended
932679Q	18.0 in. (45.7 cm)	1.6 in. (4.1 cm)	3.9 in. (9.9 cm)	Double open ended
933488Q	27.8 in. (70.6 cm)	1.6 in. (4.1 cm)	3.9 in. (9.9 cm)	Double open ended



Part Number Cross Reference Information

Racor	Pall	Schoeder	Hydac	I.D.	O.D.	Length
932612Q	HC9020FKS4H	SBF-9020-4Z10B	2060904			
926697Q	HC9600FKP8H	SBF-9600-8Z3B	2060599			
932618Q	HC9020FKS8H	SBF-9020-8Z10B	2060838			
930118Q	HC9600FKT8H	SBF-9600-8Z25B	2060602			
932670Q	-	KZ10	2060530			
932679Q	-	KKZ10	2060432			
930369Q	HC9020FKT4H	SBF-9020-4Z25B	2060905			
926835Q	HC9600FKS4H	SBF-9600-4Z10B	2060936			
932669Q	-	KZ5	2060529			
925582Q	HC9020FKP4H	SBF-9020-4Z3B	2060902			
926843Q	HC9600FKN8H	SBF-9600-8Z5B	2060600			
933246Q	HC9020FKN8H	SBF-9020-8Z5B	2060837			
932668Q	-	KZ3	2060528			
933239Q	HC9020FKN4H	SBF-9020-4Z5B	2060903			
925602Q	HC9020FKP8H	SBF-9020-8Z3B	2060836			
925520	-	K10	2058777			
930370Q	HC9020FKT8H	SBF-9020-8Z25B	2060839			
926841Q	HC9600FKN4H	SBF-9600-4Z5B	2060935			
932676Q	-	KZX10	-			
930099Q	HC9600FKT4H	SBF-9600-4Z25B	2060937			
933205Q	HC8900FKT13H	SBF-8900-13Z25B	2066677			
930194Q	HC9800FKT8H	SBF-9800-8Z25B	2060955			
927861Q	HC8300FKN8H	SBF-8300-8Z5V	-			
932874Q	HC8300/8310FKS39H	-	-			
926888Q	HC9600FKS16H	SBF-9600-16Z10B	2060617			
925773	-	K25	2058778			

M

ParFit™ Hydraulic Filters

Part Number Cross Reference Information

Racor	Pall	Schoeder	Hydac	I.D.	O.D.	Length
929099Q	HC8300FKT8H	SBF-8300-8Z25V	-			
927723Q	HC9021FDP8H	SBF-9021-8Z3B	2060797			
932873Q	HC8300/8310FKN39H	-	-			
935191	HC9801FDP4H	SBF-9801-4Z3B	2060767			
932685Q	-	KKZX10	2056633			
PR3088Q	-	-	0110D020BN-HC			
927176Q	HC9601FDP8H	SBF-9601-8Z3B	2060779			
935193	HC9801FDP8H	SBF-9801-8Z3B	2060933			
926698Q	HC9600FKP13H	SBF-9600-13Z3B	2060607			
931018Q	-	KZ20	-			
932872Q	HC8300/8310FKP39H	-	-			
932677Q	-	KKZ3	2060430			
933213Q	HC8900FKT16H	-	2062448			
R750-H-0806A	HC7500SKN8H	SBF-7500-8Z5B	-			
933044Q	HC8300/8310FKP16H	-	-			
926839Q	HC9600FKS13H	-	2060609			
927725Q	HC9021FDP4H	SBF-9021-4Z3B	2060860			
933196Q	HC8900FKT8H	SBF-8900-8Z25B	2066684			
934122Q	HC8314FKN39H	39QCLZ5V	2083926			
927182Q	HC9601FDP13H	SBF-9601-13Z3B	2062410			
925792	-	KK10	-			
935149	HC6400FKS26H	SBF-6400-26Z10B	1269045			
PR3033Q	-	SBF-0030D-Z10B	-			
926699Q	HC9600FKP16H	SBF-9600-16Z3B	2060615			

ParFit™ Hydraulic Filters

Racor ParFit	Fleetguard	Baldwin	Wix	Pall	Schroeder	Hydac (Hycon)	Donaldson
925520	HF6110	PT707-HD10	51407		K10	2058777 HK010P	P163910 P167410
925773	HF6111	PT707-HD	51434		K25	HK020P	P167425
925792	HF7338	PT757-10	57180		KK10		P174243
926169	HF6710	BT-287 BT-287-10 BT387 BT387-10	51758			MFE160-10/2	P550388
935149	HF30325			HC6400FKS26H HC6400FKS26Z HC6400FDS26H HC6400FDS26Z HC6400FUS26H HC6400FUS26Z	SBF-6400-26Z10B	1269045	
935191	HF30613			HC9801FDP4H	SBF-9800-4S1B	2060767	P167270
935193	HF7510			HC9801FDP8H HC9801FDP8Z HC9801FKP8H	SBF-9801-8Z3B	2060933	P167414
925582Q	HF7040	H9041	57121	HC9020FDP4H HC9020FDP4Z HC9020FKP4H HC9020FKP4Z HC9020FUP4H HC9020FUP4Z	SBF-9020-4S1B	2060902 1.07.04D03BN H9020/4- 003BN	P169429
925602Q	HF7044	H9045	57857	HC9020FDP8H HC9020FDP8Z HC9020FKP8H HC9020FKP8Z HC9020FUP8H HC9020FUP8Z	SBF-9020-8Z3B	1.07.08D03BN H9020/8- 003BN	P167838
926697Q	HF7468	H9073	57849	HC9600FDP8H HC9600FDP8Z HC9600FKP8H HC9600FKP8Z HC9600FUP8H HC9600FUP8Z	SBF-9600-8S1B 8TS1 8TZ3	1.11.08D03BN H9600/8- 003BN	P167842 P169904
926698Q	HF7072	H9077	51689	HC9600FDP13H HC9600FDP13Z HC9600FKP13H HC9600FKP13Z HC9600FUP13H HC9600FUP13Z	SBF-9600-13Z3B	1.11.13D03BN H9600/13- 003BN	P169432

M

ParFit™ Hydraulic Filters

Racor ParFit	Fleetguard	Baldwin	Wix	Pall	Schroeder	Hydac (Hycon)	Donaldson
926699Q	HF7076 HF7476	H9083	51709	HC9600FDP16H HC9600FDP16Z HC9600FKP16H HC9600FKP16Z HC9600FUP16H HC9600FUP16Z	SBF-9600-16S1B SBF-9600-16S3B SBF-9600-16S3V	1.11.16D03BN H9600/16-003BN	P168433
926835Q	HF7066	H9071	51685	HC9600FDS4H HC9600FDS4Z HC9600FKS4H HC9600FKS4Z HC9600FUS4H HC9600FUS4Z	SBF-9600-4S7B	1.11.04D12BN H9600/4-010BN	P164164 P164364
926839Q	HF7074	H9079	51690	HC9600FDS13H HC9600FDS13Z HC9600FKS13H HC9600FKS13Z HC9600FUS13H HC9600FUS13Z	SBF-9600-13S7B SBF-9600-13S7V	1.11.13D12BN H9600/13-010BN	
926841Q	HF7065 HF7465	H9070	51685	HC9600FDN4H HC9600FDN4Z HC9600FKN4H HC9600FKN4Z HC9600FUN4H HC9600FUN4Z	SBF-9600-4S3B	1.11.04D06BN H9600/4-005BN	P164592 P164600
926843Q	HF7069	H9074	57848	HC9600FDN8H HC9600FDN8Z HC9600FKN8H HC9600FKN8Z HC9600FUN8H HC9600FUN8Z	8TS3 8TZ5 SBF-9600-8S3B	1.11.08D06BN H9600/8-005BN	P164594 P164601
926888Q	HF7078 HF7478	H9085	51684	HC9600FDS16H HC9600FDS16Z HC9600FKS16H HC9600FKS16Z HC9600FUS16H HC9600FUS16Z	SBF-9600-16S7B SBF-9600-16S7V	1.11.16D12BN H9600/16-010BN	P164168 P164170
927176Q	HF7082 HF7482		57847	HC9601FDP8H HC9601FDP8Z HC9601FKP8H HC9601FKP8Z HC9601FUP8H HC9601FUP8Z	SBF-9601-8S1B 8TSX3	1.11.08D03BH H9601/8-003BH	P167185

ParFit™ Hydraulic Filters

Racor ParFit	Fleetguard	Baldwin	Wix	Pall	Schroeder	Hydac (Hycon)	Donaldson
932685Q					KKZX10	2056633	
932872Q	HF7008		51295	HC8300FDP39H HC8300FDP39Z HC8300FKP39H HC8300FKP39Z HC8300FUP39H HC8300FUP39Z HC8310FKP39H HC8310FKP39Z	SBF-8300-39S1B SBF-8300-39S3B SBF-8300-39S3V	1.06.39D03BN H8300/39-003BN	P171048 P167836 P172960
932873Q	HF7009			HC8300FDN39H HC8300FDN39Z HC8300FKN39H HC8300FKN39Z HC8300FUN39H HC8300FUN39Z HC8310FKN39H HC8310FKN39Z	SBF-830039S3B	1.06.39D06BN H8300/39-005BN	P164578 P164582 P171047 P171050
932874Q	HF7010			HC8300FDS39H HC8300FDS39Z HC8300FKS39H HC8300FKS39Z HC8300FUS39H HC8300FUS39Z HC8310FKS39H HC8310FKS39Z	SBF-8300-39S7B SBF-8300-39S7V	1.06.39D12BN H8300/39-010BN	P164565 P164566 P171045 P171051
933044Q	HF7004 HF7404			HC8300FDP16H HC8300FDP16Z HC8300FKP16H HC8300FKP16Z HC8300FUP16H HC8300FUP16Z HC8310FKP16H HC8310FKP16Z	SBF-8300-16S3B SBF-8300-16S3V	1.06.16D03BN H8300/16-003BN	P167507 P167835
933196Q	HF30738			HC8900FDT8H HC8900FDT8Z HC8900FKT8H HC8900FKT8Z HC8900FUT8H HC8900FUT8Z	SBF-8900-8S15B	1.08.08D25BN H8900/8-020BN	P167889

M

ParFit™ Hydraulic Filters

Racor ParFit	Fleetguard	Baldwin	Wix	Pall	Schroeder	Hydac (Hyon)	Donaldson
933205Q	HF30771			HC8900FDT13H HC8900FDT13Z HC8900FKT13H HC8900FKT13Z HC8900FUT13H HC8900FUT13Z	SBF-8900-13S15B	1.08.13D25BN H8900/13-020BN	P167890
933213Q	HF30793			HC8900FDT16H HC8900FDT16Z HC8900FKT16H HC8900FKT16Z HC8900FUT16H HC8900FUT16Z	SBF-8900-16S15B	1.08.16D25BN H8900/16-020BN	P167891
933239Q	HF30027	H9042	57121	HC9020FDN4H HC9020FDN4Z HC9020FKN4H HC9020FKN4Z HC9020FUN4H HC9020FUN4Z	SBF-9020-4S3B	1.07.04D06BN H9020/4-005BN	P165041
933246Q	HF7045	H9046	57902	HC9020FDN8H HC9020FDN8Z HC9020FKN8H HC9020FKN8Z HC9020FUN8H HC9020FUN8Z	SBF-9020-8S3B	1.07.08D06BN H9020/8-005BN	P165043
934122Q	HF30889			HC8314FKN39H	39QCLZ5V	2083926	P564547
PR3033Q	ST1217				SBF-0030D-Z10B	0030D010BNHC	
PR3088Q			57873	HC2206FDT6H HC2206FKT6H HC2206FUT6H	SBF0110D020 SBF-0110D-Z25B	0110D020BN-HC 0110D020BN 0110D020BN/HC 0110D020BNHC 0110D020P	
R750-H-0806A	HF6778	BT8308-MPG	51849	HC7500SKN8H	SBF-7500-8Z5B		P165762

Racor ParFit	Fleetguard	Baldwin	Wix	Pall	Schroeder	Hydac (Hycon)	Donaldson
927182Q	HF7084			HC9601FDP13H HC9601FDP13Z HC9601FKP13H HC9601FKP13Z HC9601FUP13H HC9601FUP13Z	SBF-9601-13S1B	1.11.13D03BH H9601/13-003BH	P167411
927723Q	HF7450	H9051	57858	HC9021FDP8H HC9021FDP8Z HC9021FKP8H HC9021FKP8Z HC9021FUP8H HC9021FUP8Z	SBF-9021-8S1B	1.07.08D03BH H9021/8-003BH	P167182
927725Q	HF7448	H9049	57853	HC9021FDP4H HC9021FDP4Z HC9021FKP4H HC9021FKP4Z HC9021FUP4H HC9021FUP4Z	SBF-9021-4S1B	1.07.04D03BH H9021/4-003BH	P167180
927861Q	HF7001	H9001		HC8300FDN8H HC8300FDN8Z HC8300FKN8H HC8300FKN8Z HC8300FUN8H HC8300FUN8Z	SBF-8300-8S3B	1.06.08D06BN H8300/8-005BN	P164574 P164580
929099Q	HF7003			HC8300FDT8H HC8300FDT8Z HC8300FKT8H HC8300FKT8Z HC8300FUT8H HC8300FUT8Z	SBF-8300-8S15B	1.06.08D25BN H8300/8-020BN	P164217 P164430
930099Q	HF7067 HF7467	H9072	51694	HC9600FDT4H HC9600FDT4Z HC9600FKT4H HC9600FKT4Z HC9600FUT4H HC9600FUT4Z	SBF-9600-4S15B	1.11.04D25BN H9600/4-020BN	P164172 P164368
930118Q	HF7071 HF7471	H9076	51688	HC9600FKT8H HC9600FDT8H HC9600FDT8Z HC9600FKT8Z HC9600FUT8H HC9600FUT8Z	SBF-9600-8S15B	1.11.08D25BN H9600/8-020BN	P164174 P164369

M

ParFit™ Hydraulic Filters

Racor ParFit	Fleetguard	Baldwin	Wix	Pall	Schroeder	Hydac (Hycon)	Donaldson
930194Q	HF7107 HF7507	H9114		HC9800FDT8H HC9800FDT8Z HC9800FKT8H HC9800FKT8Z HC9800FUT8H HC9800FUT8Z	SBF-9800- 8Z25B	1.13.08D25BN H9600/8-020BN	P169450
930369Q	HF30707	H9044	57120	HC9020FKT4H HC9020FKT4Z HC9020FDT4H HC9020FDT4Z HC9020FUT4H HC9020FUT4Z	SBF-9020- 4S15B	1.07.04D25BN H9020/4-020BN	P165136
930370Q	HF30728	H9048	57861	HC9020FKT8H HC9020FKT8Z HC9020FDT8H HC9020FDT8Z HC9020FUT8H HC9020FUT8Z	SBF-9020- 8S15B	1.07.08D25BN H9020/8-020BN	P165138
931018Q	HF30754			HCS630KDT9H	KZ20		
932612Q	HF7793	H9043	57120	HC9020FKS4H	SBF-9020- 4Z10B	2060904	P165006
932618Q	HF7046	H9052	57902				P165015
932668Q	HF30491		57840	HCS630KDP9H	KZ3	2060528	
932669Q	HF30089	PT8364	57756	HCS630KDN9H	KZ5	2060529	P174623
932670Q	HF30268	PT8363	57756 57841	HCS630KDS9H	KZ10	2060530	P163903
932676Q	HF30267		57598		KSX7 KZX10		P560398
932677Q	HF30595			HC9700FDP18H HC9700FDP18Z HC9700FKP18H HC9700FKP18Z HC9700FUP18H HC9700FUP18Z	KKZ3	2060430	P174245
932679Q	HF30318		57889	HC9700FDS18H HC9700FDS18Z HC9700FKS18H HC9700FKS18Z HC9700FUS18H HC9700FUS18Z	KKZ10	2060432 5.03.18D10BN H2K-010BN	P174249

Part Number Index

9

PRODUCT	PAGE#
932611Q	M2
932617Q	M2
932670Q	M4
932679Q	M4
933488Q	M4

H

PRODUCT	PAGE#
HF2	M2
HF3	M3
HF4	M4

M

